

SIKA Kombitemp®

The Temperature Sensor with local indicator



SIKA Kombitemp®

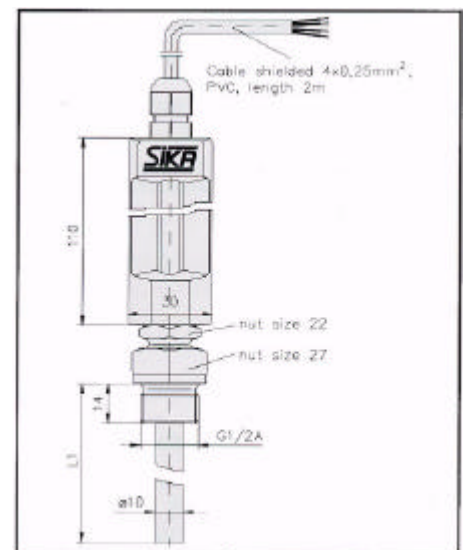
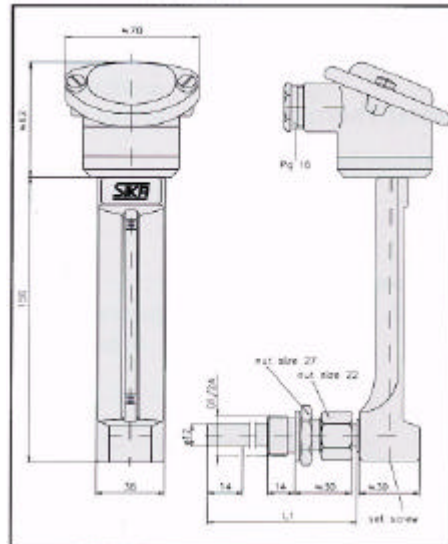
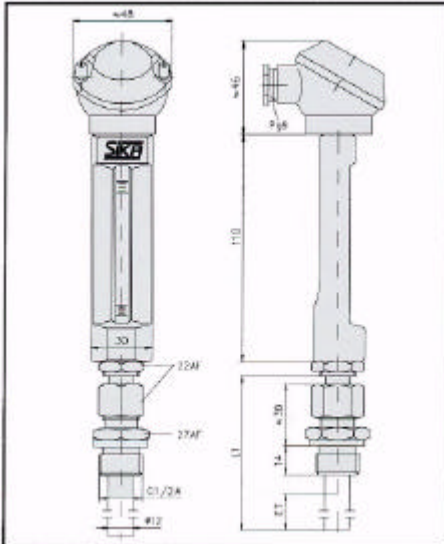
Dual temperature control with only one measuring point

The combination of electronic sensor and local display has many advantages:

- Temperature control with two measuring systems independent of each other
- The Kombitemp offers increased security in accuracy of measurement because it is possible to verify the results of the electrical measurement against that of the industrial thermometer and vice versa.
- The installation costs of the instrument are reduced because only one measuring point needs to be installed for the electronic and local measurement.
- The operating reliability of the controlled system being controlled is increased by the use of the SIKA Kombitemp® because defective electrical sensors or industrial thermometers can be detected immediately.
- Both the electrical and the industrial thermometer are DIN parts and can therefore be easily changed.
- The locally mounted thermometer can be used to make adjustments at the temperature sensing point and eliminate constant recourse of the remote indication during setting up.



Description



The SIKA Kombitemp® consists of:

1. A SIKA-industrial thermometer with its renowned characteristics:

- vibration-proofed
- easy to read
- high long-term stability of capillary accuracy
- Thermometer capillary produced and calibrated to DIN 16195
- the surface of the casing is protected from external forces by a thick eloxal coating

2. An electrical temperature sensor customized within the same casing and pocket of the industrial thermometer

- Temperature sensors acc. to DIN or customer specified
- electrical connection options freely selectable

SIKA Kombitemp, straight

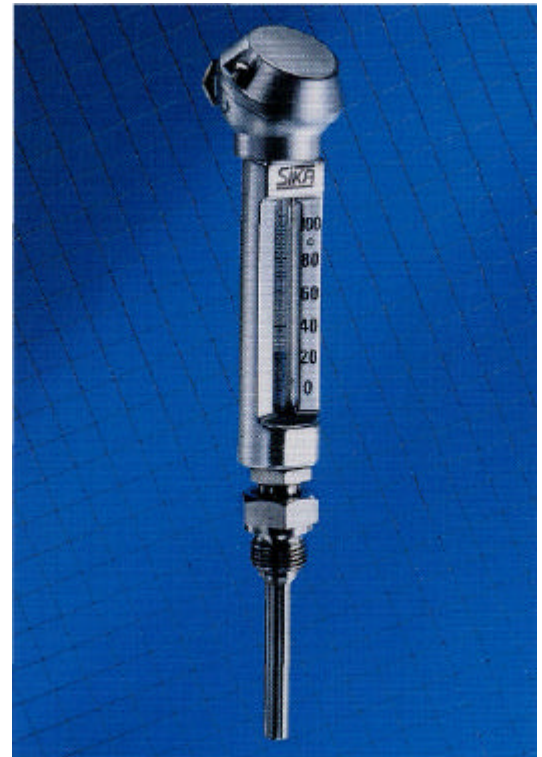
Casing size 1 1 0 x 30 mm (without connection head)

A combined Industrial Thermometer and electrical temperature sensor.
Ranges between - 30°C and +200°C

Kombitemp® Type K 110 (adjustable coupling)
Type K 120 (fixed connection thread)

- One point of measuring for both remote and local temperature monitoring / indication
- Based on an approved SIKA - Industrial Thermometer
- Standard inserts for resistance thermometers or thermocouples
- Standard immersion tubes
- Glass inserts and sensor elements can easily be exchanged
- Optional with Kopftransmitter 4-20 mA

Technical data: Type K 110
Type K120



K 1 2 0

Industrial Thermometers straight version:

Casing:	die cast aluminium Length 110 mm, width 30 mm silver colored anodized.
Thermometer-capillary in special glass:	prismatic, approx. 6 mm diameter with black graduations burnt into the glass
Ranges:	from -30°C to +200°C. the standard ranges can be found in the order code
Thermometric-liquid:	see page 5

Electrical temperature sensor

Possible measuring inserts:	1 x Pt 100/3-wire 1 x NiCr - Ni (K) 1 x Fe-CuNi (J) 1 x Pt 1000/2-wire
------------------------------------	---

Connection head: Type J

Standard immersion tubes

Diameter:	12x1 mm
Material:	brass 2. 0321 for pressures up to PN 16 bar stainless steel 1. 4571 for pressures up to PN 40 bar
Standard lengths L1:	K110: 135mm, ET 50 160 mm, ET 73 K120: 63 mm 100 mm 160 mm
Connection:	K110: compressing coupling G 1/2 male zinc plated steel in brass immersion tube, stainless steel in stainless steel immersion tube K120: thread connection G 1/2 or M 20 x 1, 5 male
Other immersion tube dimensions, materials and threaded connections on inquiry.	

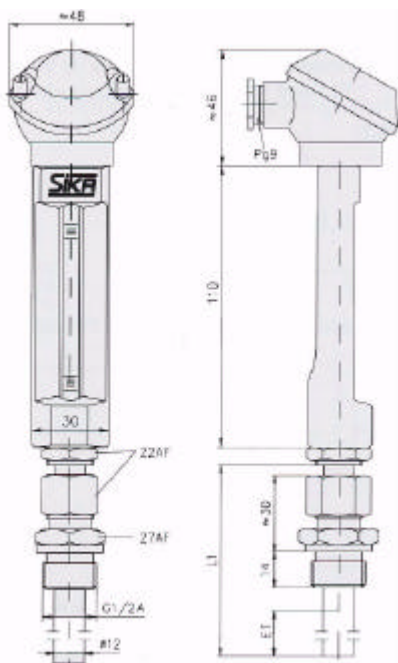
SIKA Kombitemp®: Types K 110 and K120

Order-code =	Type +	Length +	Connection+	Material +	Electr.sensor +	Transmitter
--------------	--------	----------	-------------	------------	-----------------	-------------

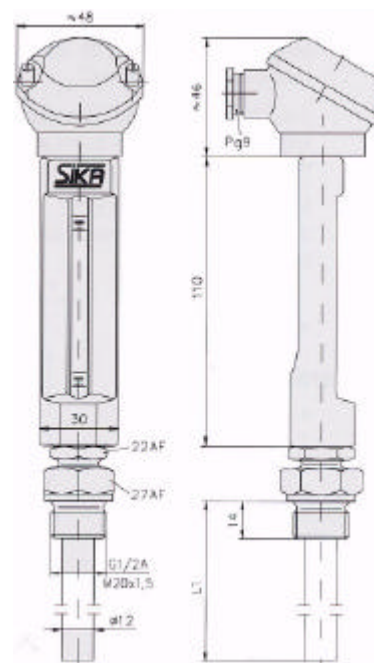
Execution	Ranges	Type	Immersion tube length	Connection	Immersion tube material	Electrical Temp. sensor	Head transmitter
Adjustable coupling	-30... +50°C	K11035	135=135mm 160=160mm	2 = adjustable coupling G 1/2 male	1 = brass (2.0321) 3 = st.steel (1.4571)	1 = 1xPt100/3-wire 2=1xNiCr-Ni (K) 3=1xFe-CuNi(J) 7=1xPt1000/2-wire	0 = without 1 = with transmitter
	0... +60°C	K11006					
	0... +100°C	K11010					
	0... +120°C	K11012					
	0... +200°C	K11020					

Execution	Ranges	Type	Mounting length	Connection	Immersion tube material	Electrical Temp. sensor	Head transmitter
Fixed thread connection	-30... +50°C	K12035	063 = 63 mm 100 = 100mm 160 = 160mm	2 = G 1/2 male 7 = M20x1,5	1 = brass (2.0321) 3 = st.steel (1.4571)	1 = 1xPt100/3-wire 2=1xNiCr-Ni (K) 3=1xFe-CuNi(J) 7=1xPt1000/2-wire	0 = without 1 = with transmitter
	0... +60°C	K12006					
	0... +100°C	K12010					
	0... +120°C	K12012					
	0... +200°C	K12020					

Thermometric liquid: blue liquid



Type K110



Type K120

Subject to technical modification.

SIKA Kombitemp®, angle 90°

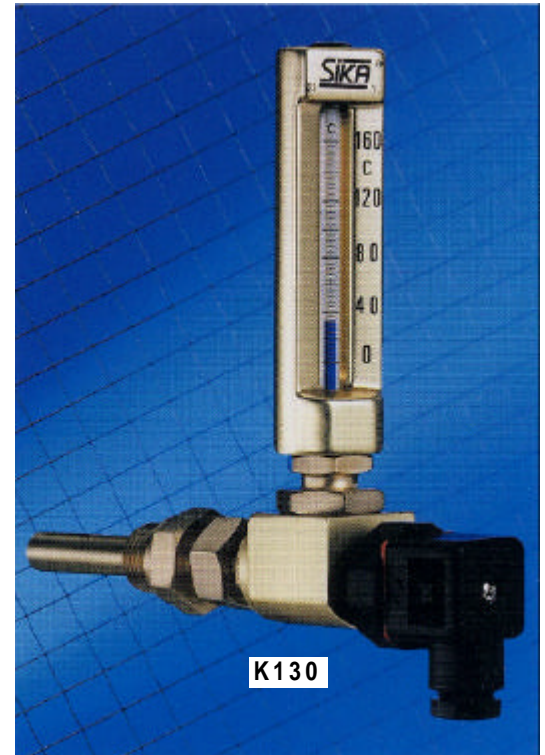
Casing 110 x 30 mm

A combined Industrial Thermometer and electrical temperature sensor

Ranges between - 30 C to + 200 C

Kombitemp® Type K 130

- One point of measuring for both remote and local temperature monitoring / indication
- Based on an approved SIKA - Industrial thermometer
- Glass inserts and sensor elements can easily be exchanged



Technical data: Type K 130

Industrial Thermometer angle version:

Casing :	die cast aluminum length 110 mm, width 36 mm gold colored anodized
Thermometer- capillary in special glass:	prismatic, approx. 5,5 mm diameter with black graduation burnt into the glass
Ranges:	from - 30°C up to + 200°C, the standard ranges can be found in the order code
Thermometer- liquid:	see page 7
Electrical temperature sensor	
Possible measuring: inserts	1 x Pt 100/3wire 1 x Pt 100/4wire 1 x NiCr-Ni (K) 1 x Fe-CuNi (J) 1 x Pt 1000/2-wire
Connection head:	Type J

Standard immersion tubes

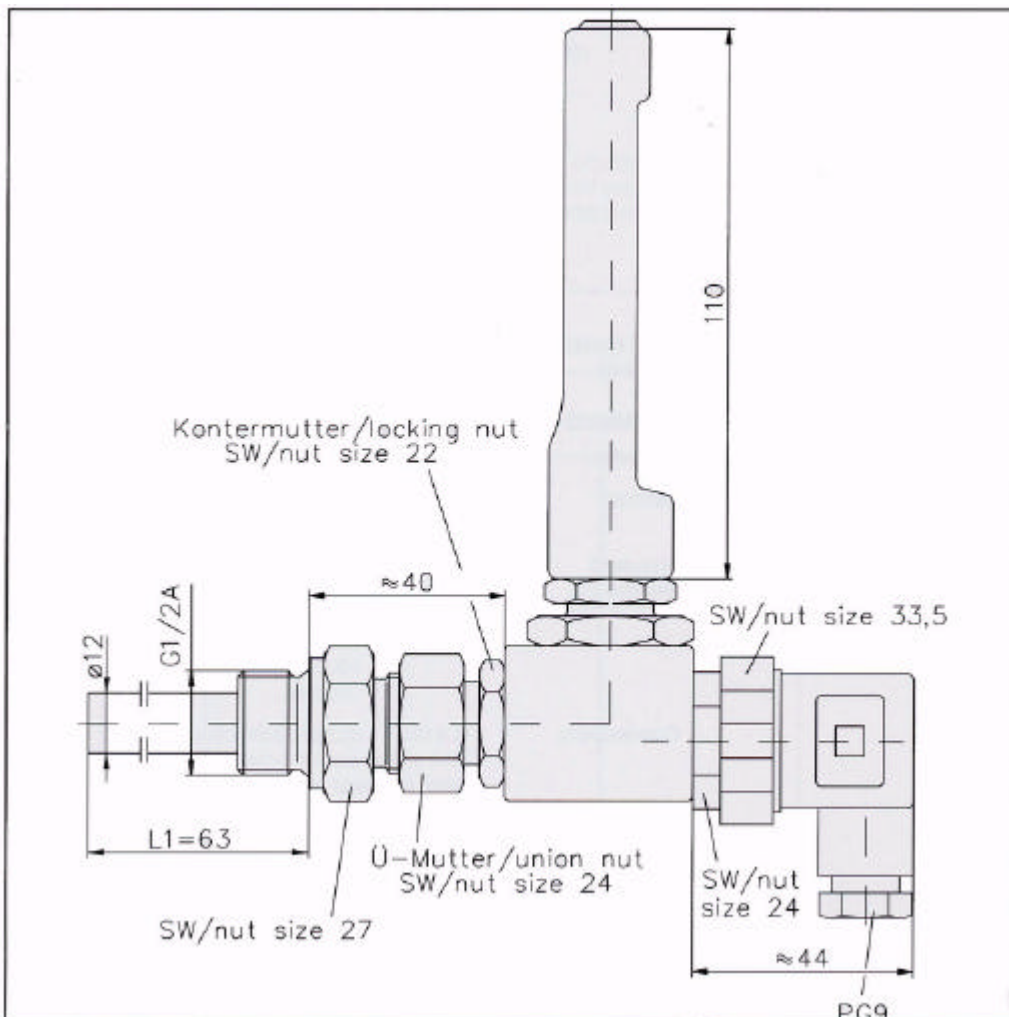
Diameter:	12 x 1 mm
Material:	Brass 2.0321, for pressures up to PN 16 bar St. steel 1.4571, for pressures up to PN 40 bar
Standard lengths L1:	63mm 100 mm 160 mm
Connection:	G 1/2 A

Other immersion tube dimensions, materials and threaded connections on inquiry.

SIKA Kombitemp[®]: Type K130

Order code =		Type +	Length +	Connection +	Material +	Electrical sensors-	Transmitter
Execution	Ranges	Type	Immersion tube length	Connection	Immersion tube material	Electrical temperature sensor	Head transmitter
adjustable coupling	-30... +50°C	K13035	063 =63 mm 100=100mm 163=163mm	2 = G 1/2 A 7 = M20x1,5	1 = Brass 2.0321 3 = St. steel 1.4571	1 = 1xPt100/3-wire 2 = 1xNiCr-Ni (K) 3=1xFe-CuNi(J) 4= 1xPt1004-wire 7=1xPt1000/2-L	0 = without
	0... +60°C	K13006					
	0...+ 100°C	K13010					
	0...+ 120°C	K13012					
	0... +160°C	K13016					
0...+ 200°C	K13020						

Thermometer liquid: blue liquid



SIKA Kombitemp , straight

Casing 150 x 36 mm (without connection head)

A combined Industrial Thermometer and electrical temperature sensor.
Ranges between - 60°C and +600°C

Kombitemp Type K 410 (adjustable coupling)

Type K 420 (fixed thread connection)

- One point of measuring for both remote and local temperature monitoring / indication
- Based on an approved SIKA - Industrial thermometer
- Standard inserts for resistance thermometers or thermocouples
- Standard immersion tubes
- Glass inserts and sensor elements can easily be exchanged
- Optionally with head transmitter 4-20 mA



K 420

Technical data: **Type K 410 Type**

Industrial Thermometer straight version:		Head transmitter: (Option)	4-20 mA, adjusted on range of thermometer, possible for only single elements
Casing :	die cast aluminum length 150 mm, width 36 mm silver colored anodized	Standard immersion tubes	
Thermometer-capillary in special glass:	prismatic, approx. 6 mm diameter with black graduations burnt into the glass	Diameter:	12x1 mm
Ranges:	from -60°C to +600°C, the standard ranges can be found in the order code	Material:	brass 2.0321 for pressures up to PN 16 bar st. steel 1.4571 for pressures up to PN 40 bar
Thermometric-liquid:	see page 9	Standard lengths L1:	K410: 135mm, ET 50 160 mm, ET73 K 420: 63 mm 100 mm 160 mm
Electrical temperature sensor Possible	1 x Pt100/3-wire	Connection:	K 410: compression coupling G ½ male zinc plated steel in brass immersion tube, stainless steel in stainless steel immersion tube K 420: thread connection G ½ male or M20 x 1,5
Measuring inserts:	2 x Pt100/3-wire 1 x NiCr-Ni (K) 2 x NiCr-Ni (K) 1 x Fe-CuNi (J) 2 x Fe-CuNi (J) 1 x Pt 1000/2-wire	Other immersion tube dimensions, materials and threaded connections on inquiry	
Connection head:	DIN 43729 Form B		

Subject to technical modification.

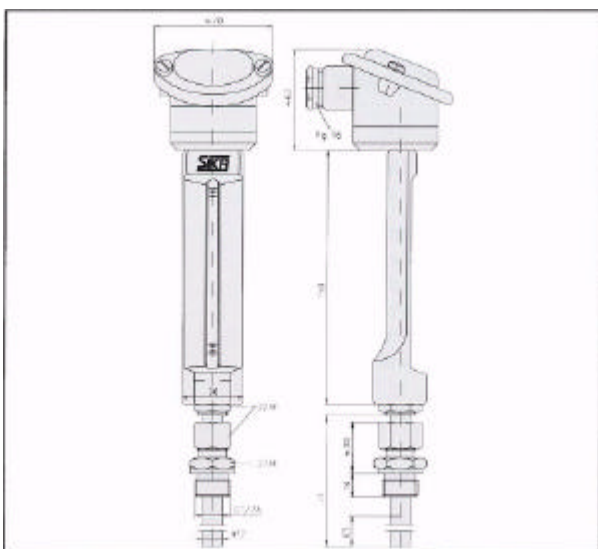
SIKA Kombitemp ®:

Types K 410 and K 420

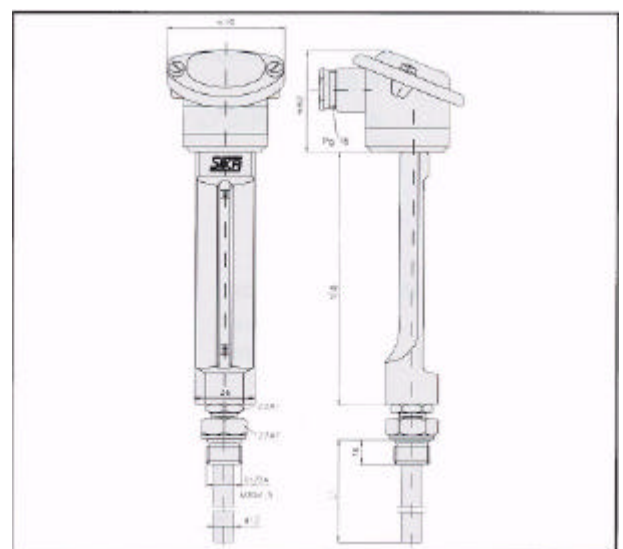
Order-code =		Type +	Length +	Connection +	Material +	Electr. sensor +	Transmitter
Execution	Ranges	Type	Immersion tube length	Connection	Immersion tube material	Electrical Temp, sensor	Head transmitter
Adjustable coupling	-60... +40°C	K41064	135=135 mm 160 =160 mm	2=adjustable coupling G 1/2 male	1 = brass (2.0321) (max. +200°C) 3 = st. steel (1.4571)	1 = 1xPt100/3-wire 4 = 2xPt100/3-wire 2 = 1xNiCr-Ni (K) 5 = 2xNiCr-Ni (K) 3 = 1xFe-CuNi (J) 6 = 2xFe-CuNi (J) 7 = 1xPt1000/2-wire	0 = without 1 = with Transmitter
	-30... +50°C	K41035					
	0... +60°C	K41006					
	0... +100°C	K41010					
	0... +120°C	K41012					
	0... +160°C	K41016					
	0... +200°C	K41020					
	0... +400°C	K41040					
0... +600°C	K41060						

Execution	Ranges	Type	Mounting length	Connection	Immersion tube material	Electrical Temp, sensor	Head transmitter
Fixed thread connection	-60... +40°C	K42064	063 = 63 mm 100=100 mm 160=160 mm	2 =G 1/2 male 7 = M20x1,5	1 = brass (2.0321) (max. +200°C) 3 = st. steel (1.4571)	1 = 1xPt100/3-wire 4 = 2xPt100/3-wire 2 = 1xNiCr-Ni (K) 5 = 2xNiCr-Ni (K) 3 = 1xFe-CuNi(J) 6 = 2xFe-CuNi (J) 7 = 1xPt1000/2-wire	0 = without 1 = with Transmitter 4-20 mA (max. 200°C)
	-30... +50°C	K42035					
	0... +60°C	K42006					
	0... +100°C	K42010					
	0... +120°C	K42012					
	0... +160°C	K42016					
	0... +200°C	K42020					
	0... +400°C	K42040					
0... +600°C	K42060						

Thermometric liquid: blue liquid standard for ranges up to +200°C (-60+40°C red liquid), above 200°C mercury



Type K410



Type K420

Subject to technical modifications

SIKA Kombitemp®, straight

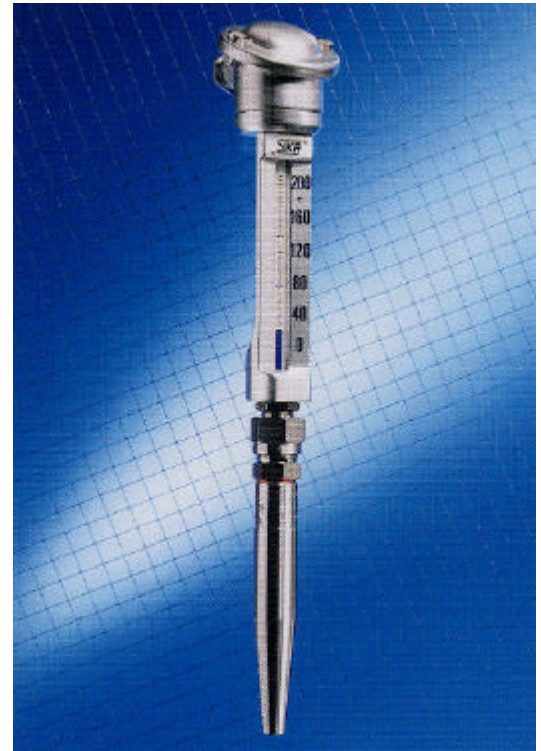
Casing 150 x 36 mm
(without connection head)
with Protection Tube form D acc. to DIN 43763

A combined Industrial Thermometer and electrical temperature sensor.

Ranges between -60°C and + 400°C

Kombitemp® Type K 430 (fixed thread connection)

- For high pressure
- One point of measuring for both remote and local temperature monitoring / indication
- Standard immersion tubes
- Glass inserts and sensor elements can easily be exchanged
- Optionally with head transmitter



K 430

Technical data: Type K 430

Industrial Thermometer straight version:

Casing: die cast aluminum
length 150 mm, width 36 mm
silver colored anodized

Thermometer-capillary in special glass: approx. 6mm diameter
with black graduations burnt into the glass

Ranges: -60°C up to +400°C.
the standard ranges can be found in the order code

Thermometric-liquid: see page 11

Electrical temperature sensor

Possible Measuring inserts: 1 x Pt 100/3-wire
2 x Pt 100/3-wire
1 x NiCr- Ni(K)
2 x NiCr- Ni (K)
1 x Fe-CuNi (J)
2 x Fe-CuNi (J)
1 x Pt 1000/2-wire

Connection head: DIN 43729 Form B

Head transmitter: (Option) 4-20 mA, adjusted on range of thermometer possible for only single elements

Standard immersion tubes:

Form D acc. to DIN 43763

Material: Stainless steel 1.4571

Certificates:

We will deliver on request the following certificates acc. to DIN 50049/EN 10204:

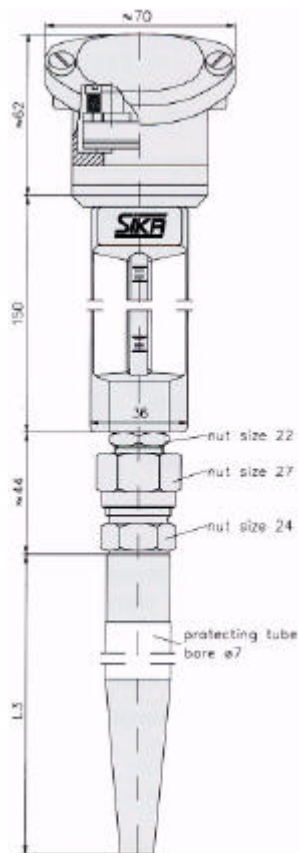
- 2.1 – Certificate *: works certificate
- 2.2 – Certificate *: works certificate
- 2.3 – Certificate *: works certificate
- 3.1 A - Certificate*: type approval certificate A
- 3.1 B - Certificate*: type approval certificate B
- 3.1 C - Certificate*: type approval certificate C

* only with immersion tube

SIKA Kombitemp[®]: Type K 430

Order code =		Type +	Length +	Connection +	Material +	Electr. sensor +	Transmitter
Execution	Ranges	Type	Length	Connection	Immersion tube material	Electrical temperature sensor	Head transmitter
Immersion tube	-60... +40°C	K43064	OD1 OD2 OD4 OD5	0 = welded	2 = steel (1.0460) 3 = st. steel (1.4571)	1 = 1xPt100/3-wire 4 = 2xPt100/3-wire 2 = 1xNiCr-Ni (K) 5 = 2xNiCr-Ni (K) 3 = 1xFe-CuNi (J) 6 = 2xFe-CuNi (J) 7 = 1xPt 1000/2L	0 = without 1 = with Transmitter 4-20 mA only for one element
	-30... +50°C	K43035					
	0... +60°C	K43006					
	0... +100°C	K43010					
	0... +120°C	K43012					
	0... +160°C	K43016					
	0... +200°C	K43020					
0... +400°C	K43040						

Thermometric liquid: blue liquid standard for ranges up to +200°C (-60+40°C red liquid), above 200°C mercury



Type K 430

Subject to technical modification

SIKA Kombitemp®, angle 90°

Casing 150 x 36 mm (without connection head)

A combined Industrial Thermometer and electrical temperature sensor.
Ranges between - 60°C and + 200°C

Kombitemp® **Type K 510** (adjustable coupling)
 Type K 520 (fixed thread connection)

- One point of measuring for both remote and local temperature monitoring / indication
- Based on an approved SIKA - Industrial Thermometer
- Standard immersion tubes
- Glass inserts and sensor elements can easily be exchanged as an unit
- Optionally with head transmitter 4-20 mA



Technical Data: **Type K 510**
 Type K 520

Industrial Thermometers angle version:

Casing :	die cast aluminum Length 150 mm, width 36 mm silver colored anodized
Thermometer- capillary in special glass:	prismatic, approx. 6 mm diameter with black graduations burnt into the glass
Ranges:	from -60°C to +200°C, the standard ranges can be found in the order code
Thermometric- liquid:	see page 13

Electrical temperature sensor

Measuring insert:	1 x Pt 100/3-wire 1 x Pt 1000/2-wire
Connection head:	DIN 43729 Form B
Ambient temperature:	max 80°C
Head transmitter: (Option)	4-20 mA, 0-10 V Ambient temperature max 80°C adjusted on range of thermometer

Standard immersion tubes:

Diameter:	10x1 mm
Material:	brass 2.0321, for pressures up to PN 16 bar st. steel 1.4571, for pressures up to PN 40 bar
Standard lengths L1:	K 510: 135mm, ET 50 160mm, ET73 K 520: 63 mm 100 mm 160 mm
Coupling:	K 510: adjustable coupling G 1/2 male zinc plated steel in brass immersion tube, stainless steel in stainless steel immersion tube K 520: thread connection G 1/2 male or M20x 1,5

Other immersion tube dimensions, materials and threaded connections on inquiry.

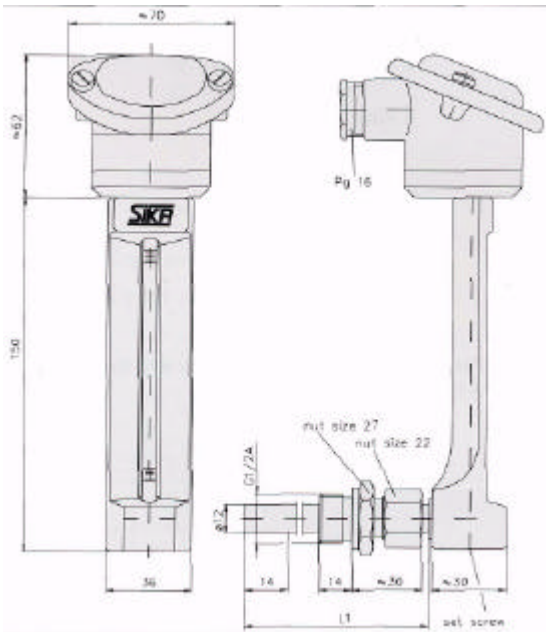
Types K 510 and K 520

Order-code =		Type +	Length +	Connection*	Material +	Electr. sensor +	Transmitter
Execution	Ranges	Type	Immersion tube length	Connection	Immersion tube material	Electrical Temp. sensor	Head transmitter
Adjustable coupling	-60... +40°C	K51064	135 = 135 mm 160 = 160 mm	2 = adjustable coupling G 1/2 male	1 = brass (2.0321) 3 = st. steel (1.4571)	1 = 1xPt100/3-wire 7 = 1xPt1000/2-wire	0 = without 1 = with Transmitter
	-30... +50°C	K51035					
	0... +60°C	K51006					
	0... +100°C	K51010					
	0... +120°C	K51012					
	0... +160°C	K51016					
0... +200°C	K51020						

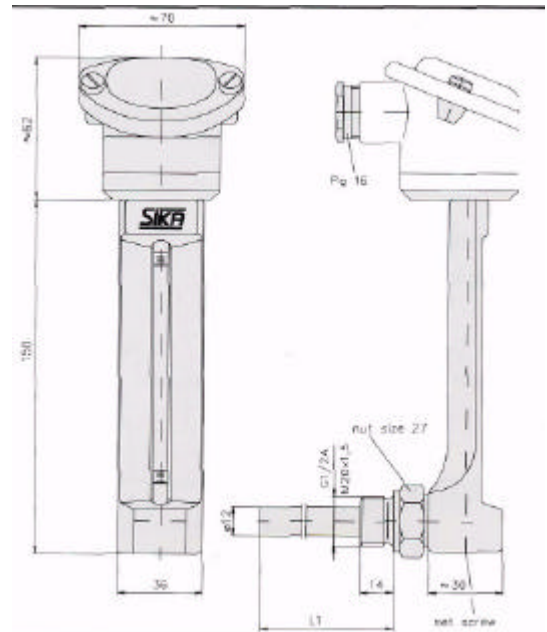
Execution	Ranges	Type	Mounting length	Connection	Immersion tube material	Electrical Temp. sensor	Head transmitter
Fixed thread connection	-60... +40°C	K52064	063 = 63 mm 100 = 100 mm 163 = 163 mm	2 = G 1/2 male 7 = M20x1,5	1 = brass (2.0321) 3 = st. steel (1.4571)	1 = 1xPt100/3-wire 7 = 1xPt1000/2-wire	0 = without 1 = with Transmitter
	-30... +50°C	K52035					
	0... +60°C	K52006					
	0... +100°C	K52010					
	0... +120°C	K52012					
	0... +160°C	K52016					
0... +200°C	K52020						

Thermometric liquid: blue liquid standard for ranges up to +200°C (-60... + 40 °C red liquid)

Attention: Other threaded connections on request. Please see datasheet EH 12000 for technical data and order code.



Type K 510



Type K 520

Subject to technical modifications.

SIKA Kombitemp , angle 90°

Casing 150 x 36 mm

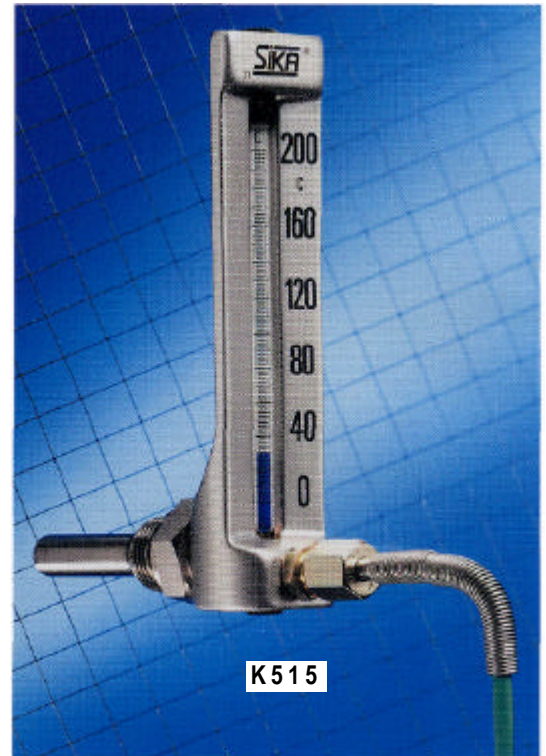
A combined Industrial Thermometer and electrical temperature sensor.

Ranges between - 60°C up to +600°C

Kombitemp® Type K 515 (adjustable coupling)
Type K 525 (fixed connection thread)

- One point of measuring for both remote and local temperature monitoring / indication
- with 2 m shielded cable
- Based on approved SIKA - Industrial Thermometer
- Glass inserts and sensor elements can easily be exchanged as an unit

Technical data: Type K 515
Type K 525



Industrial Thermometer angle version:

Casing: die cast aluminum
length 150 mm, width 36 mm
silver colored anodized

**Thermometer-
capillary in
special glass**
Ranges: Prismatic: approx. 6mm diameter
with black graduations burnt into
the glass
-60°C up to +600°C,
the standard ranges can be found
in the order code

**Thermometer-
liquid** see page 15

Electronic temperature sensor

Measuring insert: 1 x Pt 100/3wire
1 x Pt 100/4wire
1 x NiCr-Ni (K)
1 x Fe-CuNi (J)
1 x Pt 1000/2wire

Standard immersion tubes

Diameter: 12x1 mm

Material: Brass 2.0321, for pressure up to PN 16 bar
St. steel 1.4571, for pressure up to PN 40 bar

**Standard
lengths L1:** **K515:** 135mm, ET 50
160 mm, ET 73
K 525: 63 mm
100 mm
160 mm

Coupling: **K 515:** Thread connection
G 1/2 A
Zinc plated for brass immersion tubes
K 525: thread connection G1/2A
or M 20 x 1,5

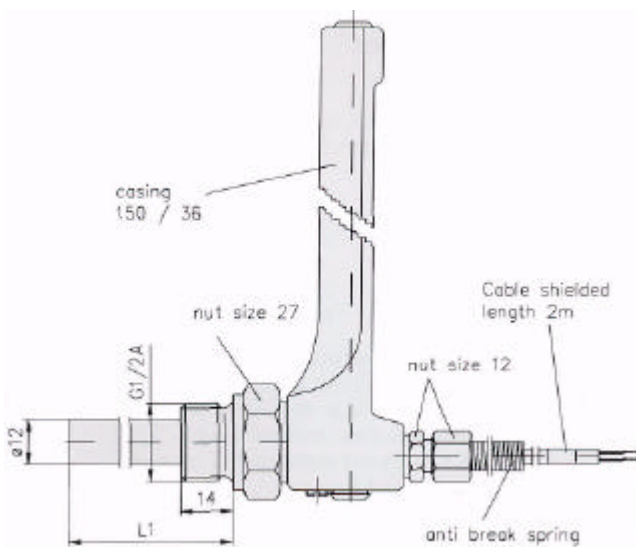
Other immersion tube dimensions, materials and threaded connections on inquiry.

SIKA Kombitemp[®]: Type K 515 and K 525

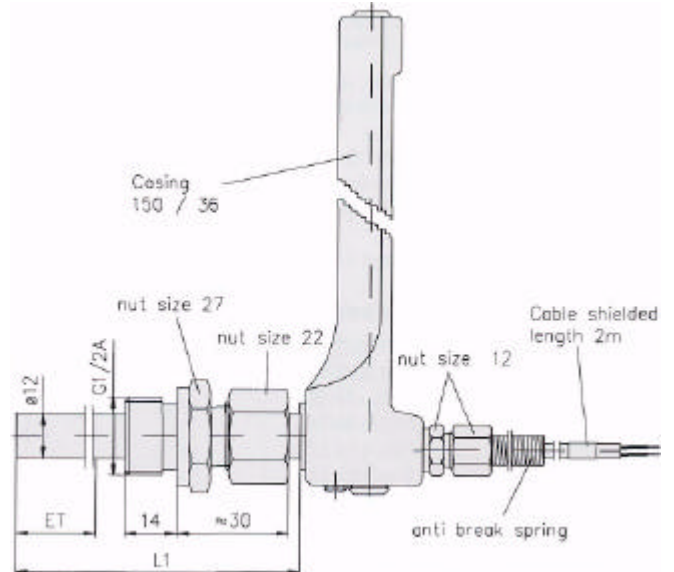
Order code =		Type +	Length +	Connection +	Material +	Electr. sensor +	Transmitter
Execution	Ranges	Type	Immersion tube lengths	Connection	Immersion tube material	Electrical temperature sensor	Head transmitter
Coupling	-60... +40°C	K51564	135=135 mm 160=160 mm	2 = Coupling G1/2A	1 = Brass (2.0321) max. 200°C 3 = St. steel (1.4571)	1 = 1xPt100/3-wire 2 = 1xNiCr-Ni(K) 3 = 1xFe-CuNi(J) 4 = 1xPt100/4-wire 7 = 1xPt1000/2-wire	0 = without
	-30... +50°C	K51535					
	0... +60°C	K51506					
	0... +100°C	K51510					
	0... +120°C	K51512					
	0... +160°C	K51516					
	0... +200°C	K51520					
	0... +400°C	K51540					
0... +600°C	K51560						

Execution	Ranges	Type	Length	Connection	Immersion tube material	Electrical temperature sensor	Head transmitter
fixed connection thread	-60... +40°C	K52564	063=63 mm 100=100 mm 163=163 mm	2 = G 1/2 A 7 = M20 x 1,5	1 = Brass (2.0321) max. 200°C 3 = St. steel (1.4571)	1 = 1xPt100/3-wire 2 = 1xNiCr-Ni(K) 3 = 1xFe-CuNi (J) 4 = 1xPt100/3-wire 7 = 1xPt1000/2-wire	0 = without
	-30... +50°C	K52535					
	0... +60°C	K52506					
	0... +100°C	K52510					
	0... +120°C	K52512					
	0... +160°C	K52516					
	0... +200°C	K52520					
	0... +400°C	K52540					
0... +600°C	K52560						

Thermometric liquid blue (Ranges up to +200°C), red (Ranges -60...+40°C). Mercury (over 200°C).



Type K 515



Type K 525

Subject to technical modification

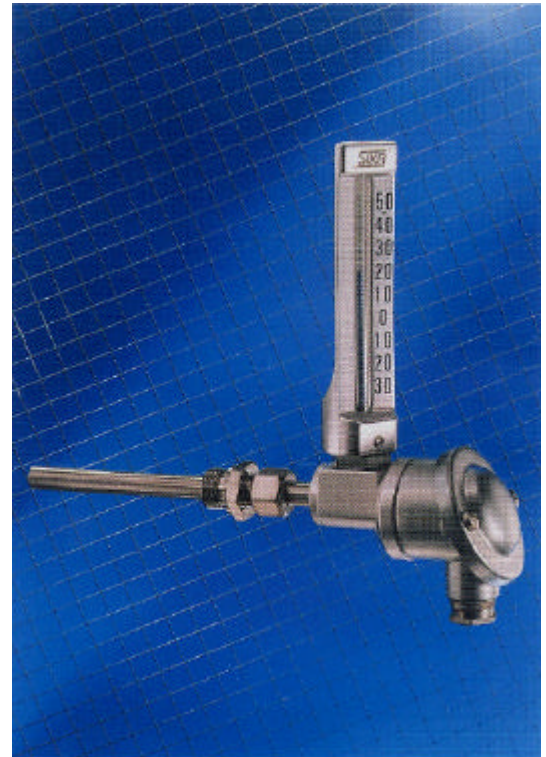
SIKA Kombitemp[®], angle 90°

Casing 150 x 36 mm

A combined Industrial Thermometer and electrical temperature sensor.
Ranges between - 60°C and +600°C

Kombitemp[®] Type K 610 (adjustable coupling)
Type K 620 (fixed thread connection)

- One point of measuring for both remote and local temperature monitoring / indication
- Based on an approved SIKA - Industrial thermometer
- Standard inserts for resistance thermometers or thermocouples
- Standard immersion tubes
- Glass inserts and sensor elements can easily be exchanged
- Optionally with head transmitter



K 610

Technical data: Type K 610 / K 620

Industrial Thermometer angle version:

Casing : die cast aluminum
length 150 mm, width 36 mm silver colored anodized

Thermometer-capillary in special glass: prismatic, approx. 5,5 mm diameter with black graduations burnt into the glass

Ranges: from -60°C to +600°C, the standard ranges can be found in the order code

Thermometric-liquid: see page 17

Electrical temperature sensor

Possible measuring inserts: 1 x Pt 100/3-wire
2 x Pt 100/3-wire
1 x NiCr - Ni (K)
2xNiCr-Ni(K)
1 x Fe-CuNi (J)
2 x Fe-CuNi (J)
1 x Pt 1000/2-wire

Connection head: DIN 43729 Form B

Head transmitter: (Option) 4-20 mA, 0-10 V
Ambient temperature max 80°C
adjusted on range of thermometer

Standard immersion tubes

Diameter: 12x1 mm

Material: brass 2.0321, for pressures up to PN 16 bar
st. steel 1.4571 ,for pressures up to PN 40 bar

Standard lengths L1:

K610:	135mm, ET 50 160mm, ET73
K 620:	63 mm 100mm 160 mm

Connection: **K 610:** compression coupling
G 1/2 male zinc plated steel in brass
immersion tube, stainless steel in stainless steel immersion tube
K 620: thread connection G 1/2 male or M20x 1,5

Other immersion tube dimensions, materials and threaded connections on inquiry.

SIKA Kombitemp®:

Types K 610/ K 620

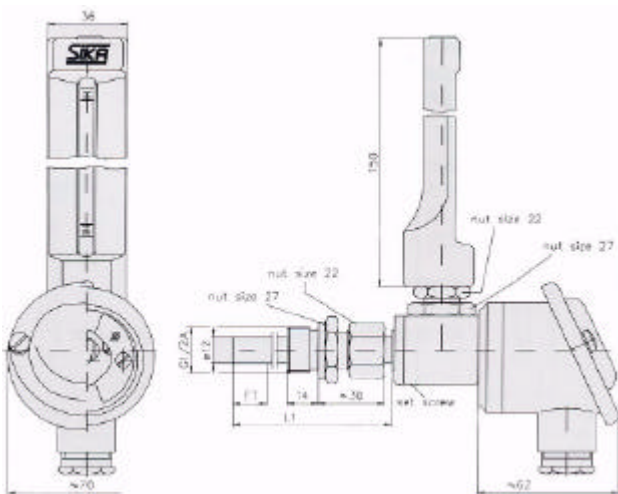
Order-code =		Type +	Length +	Connection +	Material +	Electr. sensor +	Transmitter
Execution	Ranges	Type	Immersion tube length	Connection	Immersion tube material	Electrical Temp. Sensor	Head transmitter
Adjustable coupling	-60... +40°C	K61064	135 = 135 mm 160 = 160 mm	2 = adjustable coupling G 1/2 male	1 = brass (2.0321) (max. 200°C) 3 = st. steel (1.4571)	1 = 1xPt100/3-wire 4 = 2xPt100/3-wire 2 = 1xNiCr-Ni (K) 5 = 2xNiCr-Ni (K) 3 = 1xFe-CuNi (J) 6 = 2xFe-CuNi (J) 7 = 1xPt1000/2-wire	0 = without 1 = with Transmitter
	-30... +50°C	K61035					
	0... +60°C	K61006					
	0... +100°C	K61010					
	0... +120°C	K61012					
	0... +160°C	K61016					
	0... +200°C	K61020					
	0... +400°C	K61040					
0... +600°C	K61060						

Option: Casing ratable K 511

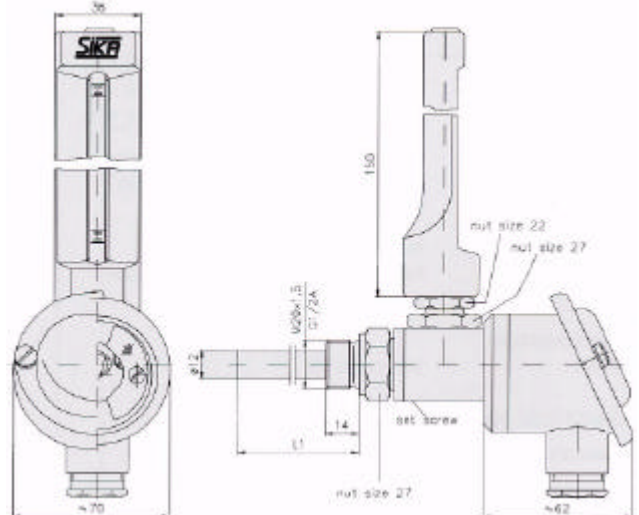
Execution	Ranges	Type	Mounting length	Connection	Immersion tube material	Electrical Temp. Sensor	Head transmitter
Fixed thread connection	-60... +40°C	K62064	063 = 63 mm 100 = 100 mm 160 = 160 mm	2 = G 1/2 male 7 = M20x1,5	1 = brass (2.0321) (max. 200°C) 3 = st. steel (1.4571)	1 = 1xPt100/3-wire 2 = 1xNiCr-Ni (K) 3 = 1xFe-CuNi (J) 4 = 2xPt100/3-wire 5 = 2xNiCr-Ni (K) 6 = 2xFe-CuNi (J) 7 = 1xPt1000/2-wire	0 = without 1 = with Transmitter
	-30... +50°C	K62035					
	0... +60°C	K62006					
	0... +100°C	K62010					
	0... +120°C	K62012					
	0... +160°C	K62016					
	0... +200°C	K62020					
	0... +400°C	K62040					
0... +600°C	K62060						

Option: Casing ratable K 521

Thermometric liquid: blue liquid standard for ranges up to +200°C (-60+40°C red liquid) above 200°C mercury.



Type K 610



Type K 620

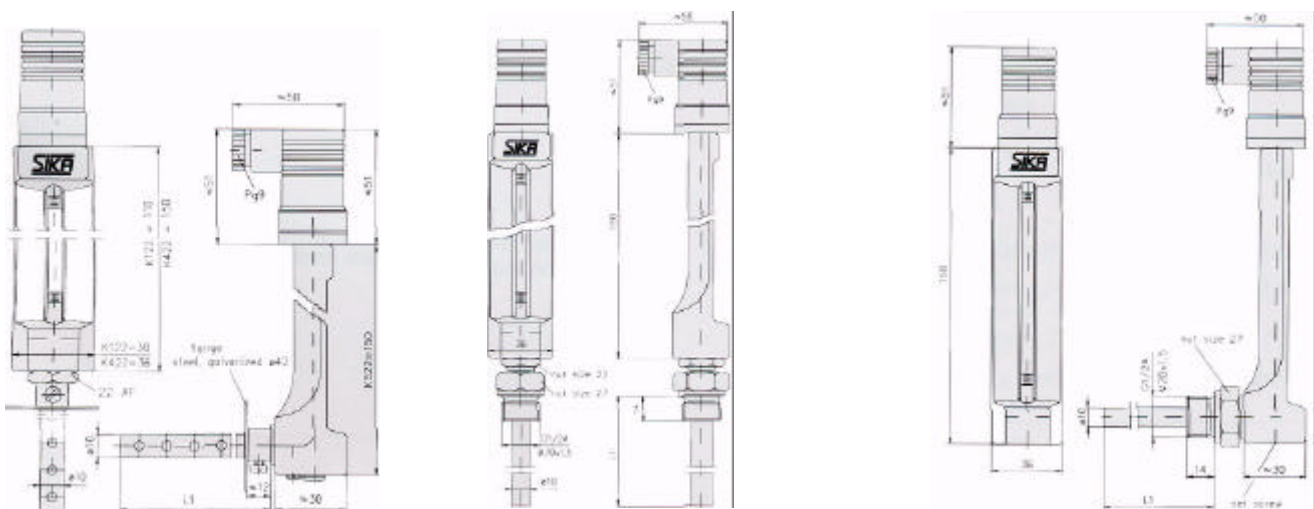
SIKA Kombitemp®:

Types K 122, K 422 and K 522

Order-code =		Type +	Length +	Connection +	Material +	Electr. sensor +	Transmitter
Execution	Ranges	Type	Immersion tube length	Connection	Immersion tube material	Electrical temp. sensor	Head Transmitter
110x30 mm straight	-30... +50°C	K12235	L: 078= 78 mm 115=115 mm 175=175 mm K122-K522: 063= 63 mm 100=100 mm 160=160 mm	2= G1/2 male 7=M20x1,5 L=air duct flange	1 = brass (2.0321) 3 = 1.4571	1=1xPt100/3-wire 7=1 xPt1000/2-wire	0 = without
	0... +60°C	K12206					
	0... +100°C	K12210					
	0... +120°C	K12212					
150x36 mm straight	-30... +50°C	K42235	L: 078= 78 mm 115=115 mm 175=175 mm K122-K522: 063= 63 mm 100=100 mm 160=160 mm	2= G1/2 male 7=M20x1,5 L=air duct flange	1 = brass (2.0321) 3 = 1.4571	1=1xPt100/3-wire 7=1xPt1000/2-wire	0 = without
	0... +60°C	K42206					
	0... +100°C	K42210					
	0... +120°C	K42212					
	0... +160°C	K42216					
	0... +200°C	K42220					
150x36 mm angle 90°	-30... +50°C	K52235	L: 078= 78 mm 115=115 mm 175=175 mm K122-K522: 063= 63 mm 100=100 mm 160=160 mm	2=G1/2male 7=M 20x1,5 L=air duct flange	1 = brass (2.0321) 3 = 1.4571	1=1xPt100/3-wire 7=1xPt1000/2-wire	0 = without
	0... +60°C	K52206					
	0... +100°C	K52210					
	0... +120°C	K52212					
	0... +160°C	K52216					
	0... +200°C	K52220					

Thermometric liquid: blue

Attention: Other threaded connections on request



Type with air duct flange

Type K 122/K 422

Type K 522

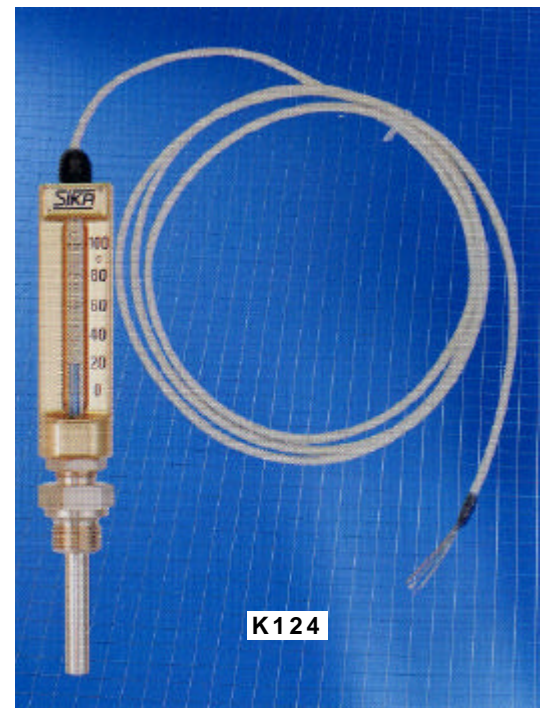
Subject to technical modifications

SIKA Kombitemp®

A combined Industrial Thermometer and
electrical Temperature Sensor.
Ranges between - 30°C and +200°C

Kombitemp® Type K 124
Type K 424
Type K 524

- One point of measuring for both remote and local temperature monitoring / indication
- Based on an approved SIKA - Industrial Thermometer
- With 2m shielded cable
- Fixed thread connection



Technical data: Type K 124
Type K 424
Type K 524

Industrial Thermometer:

Casing : Die cast aluminum, gold colored anodized.
straight version: K 124: length 110 mm, width 30 mm
K 424: length 150 mm, width 36 mm
angle version: K 524: length 150 mm, width 36 mm
**Thermometer-
capillary in
special glass:** prismatic, approx. 6 mm diameter
with black graduations burnt into
the glass
Ranges: from -30°C to +200°C,
the standard ranges can be
found in the order code

**Thermometric-
liquid:** see page 21

Electrical Temperature Sensor

Measuring insert: 1x Pt 100/3 - wire
1x Pt 100/4 - wire
1x Pt 1000/2 -wire

Head connection: 2m PVC cable 4 x 0,25 mm²

Standard immersion tubes

Diameter: 10x1 mm
Material: brass 2.0321
for pressure up to PN 16 bar
**Standard
length L1** 63 mm
100mm
160 mm
Coupling: thread connection,
G 1/2 male, M20 x 1, 5

other immersion tube dimensions, materials and thread
connections on inquiry.

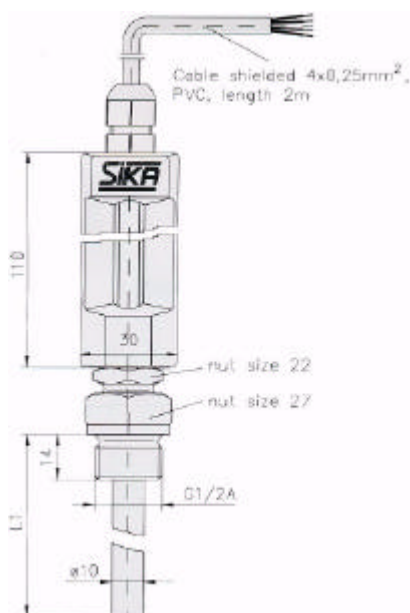
Subject to technical modification.

SIKA Kombitemp[®]: Type K 124, K 424 and K 524

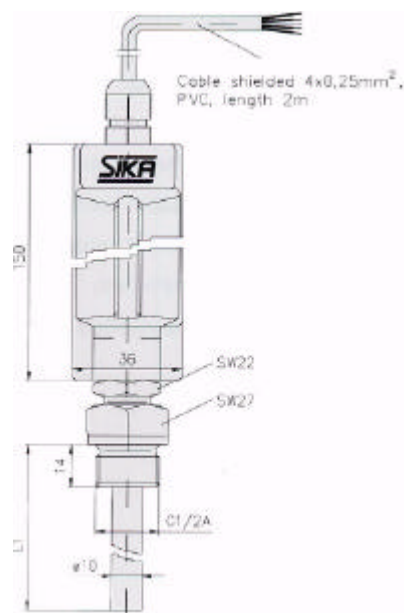
Order code =		Type +	Length +	Connection +	Material +	Electr. sensor +	Transmitter
Execution	Ranges	Type	Immersion tube length	Connection	Immersion tube material	Electrical sensor	Head transmitter
110 x 30 mm straight	30... +50°C	K12435	063 = 63 mm 100 = 100 mm 160 = 160 mm	Thread connection of immersion tube ¹⁾ 2 = G 1/2 A 7 = M20x1,5	1 = Brass (2.0321)	1 = 1xPt100/4-L 2 = 1xPt100/3-L 7 = 1xPt1000/2-L	0 = without
	0... +60°C	K12406					
	0... +100°C	K12410					
	0... +120°C	K12412					
150x36 mm straight	-30... +50°C	K42435	063 = 63 mm 100 = 100mm 160 = 160mm	Thread connection of immersion tube ¹⁾ 2 = G 1/2 A 7 = M20 x 1,5	1 = brass (2.0321)	1=1xPt100/4-L 2=1xPt100/3-L 7 = 1xPt1000/2-L	0 = without
	0... +60°C	K42406					
	0... +100°C	K42410					
	0... +120°C	K42412					
	0... +160°C	K42416					
	0... +200°C	K42420					
150x36 mm angle 90°	-30... +50°C	K52435	063 = 63 mm 100 = 100 mm 160 = 160 mm	Thread connection of immersion tube ¹⁾ 2 = G 1/2 A 7 = M20 x 1,5	1 = Brass (2.0321)	1 = 1xPt100/4-L 2 = 1xPt100/3-L 7 = 1xPt1000/2-L	0 = without
	0... +60°C	K52406					
	0... +100°C	K52410					
	0... +120°C	K52412					
	0... +160°C	K52416					
	0... +200°C	K52420					

Thermometric liquid: blue liquid

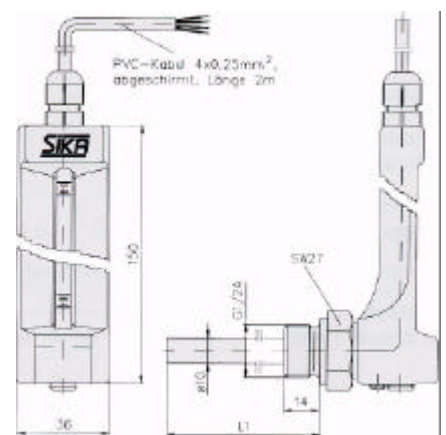
¹⁾other thread connections on request



Type K 124



Type K 424

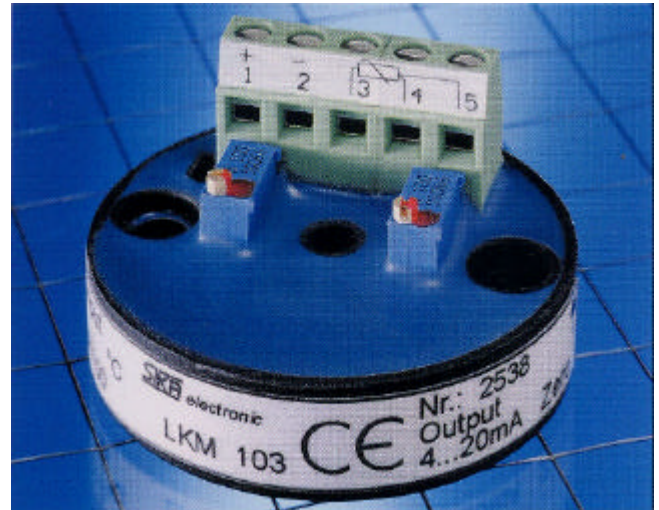


Type K 524

SIKA Temperature Transmitter for Connection Head Form B

Type LKM

- **Input**
thermocouple elements (Type LKM 101)
Pt 100 (Type LKM 103)
- **Output signal** 4-20mA, 2-wire
- **For installation** in connection head form B according to DIN
- **High accuracy**
- **Insert in Ex-range**
- **Casing plastic Polyurethan**



The LKM is an head transmitter for Pt 100 resistance thermometers according to DIN EN 60751 and thermocouples according to DIN EN 60584-1. The transmitters are aligned at works according customers specification. An additional precision adjustment can be carried out by span and zero-point potentiometer.

Technical data:

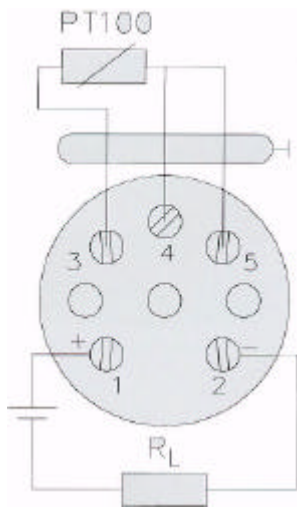
Input:	Pt 1002/3-wire Thermocouples type K; L; J; T; S	Power supply:	10 36 VDC
Measuring range:	as the glass thermometer	Reaction time:	< 0,1 s
Casing diameter:	approx. 46 mm	Output:	4 - 20 mA pole fixed
Casing height:	approx. 26 mm	Load resistance:	< 800 Q
Weight:	approx. 32 g	Linearity error:	< 0,10 %
Ambient temperature - range:	40 °C up to +85 °C Ex-Version up to +60 °C	Output sensor break:	33 mA
Storage temperature range:	-40 °C up to +120 °C	Output sensor short circuit:	3,6 mA
Clam:	< 95 % rel. clam	EMV-Test:	EN 50081 -1, EN 50082-2
Protection (clamps, switches)	IP 68 (IP 10)	Connection clamps:	screw clamps

Subject to technical modifications

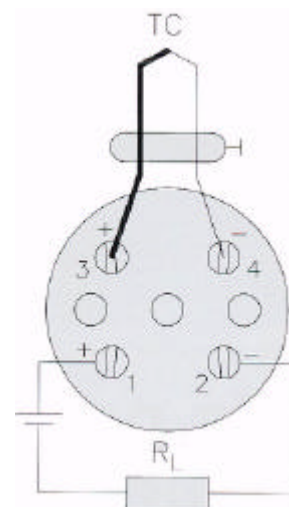
SIKA Temperature Transmitter Type EH 12000

Resistance Thermometer			Thermocouples		
Sensor	Range	Order code	Sensor	Range	Order code
Pt100/ 3- wire	-50 ... +50°C	EH 12005050	NiCr-Ni (K)	0 ... +600°C	EH 1201 0600
	50... +100°C	EH 12005100		0 ... +900°C	EH 1201 0900
	50 ... +200°C	EH 1200 5200		0...+1200°C	EH 1201 1200
	0 ... +50°C	EH 12000050	Fe-CuNi (J)	0 ... +300°C	EH 1222 0300
	0...+100°C	EH 1200 01 00		0 ... +600°C	EH 1222 0600
	0...+150°C	EH 12000150		0 ... +900°C	EH 12220900
	0 ... +200°C	EH 12000200	Cu-CuNi (T)	0 ... +300°C	EH 12880300
	0 ... +300°C	EH 12000300	Pt10%-Rh-Pt(S)	0...+1600°C	EH 1203 1600
	0 ... +400°C	EH 12000400	NiCr-CuNi (E)	0 ... +300°C	EH 1204 0300
	0 ... +500°C	EH 12000500		0 ... +600°C	EH 12040600
	0 ... +600°C	EH 12000600		0 ... +900°C	EH 1204 0900

Input Pt 100



Input thermocouple



Subject to technical modifications.